

ERV

Applications

ERV double chamber, quartzite sand filters are particularly suitable for the filtration of water with high amounts of organic substances: algae, mud and slimy particles of organic matrix. It is recommended for water from rivers, lakes or dams. The special diffusers located inside on the horizontal plate prevent the quartzite from becoming compact decreasing pressure loss of the whole system.

The ERV filter has a double chamber, i.e. it is divided in two parts by a plate. Its special structure was designed to reduce dimensions and to make it easily transportable from one system to another, if necessary. The filter is supplied with a backwash system with manual valves.

Materials

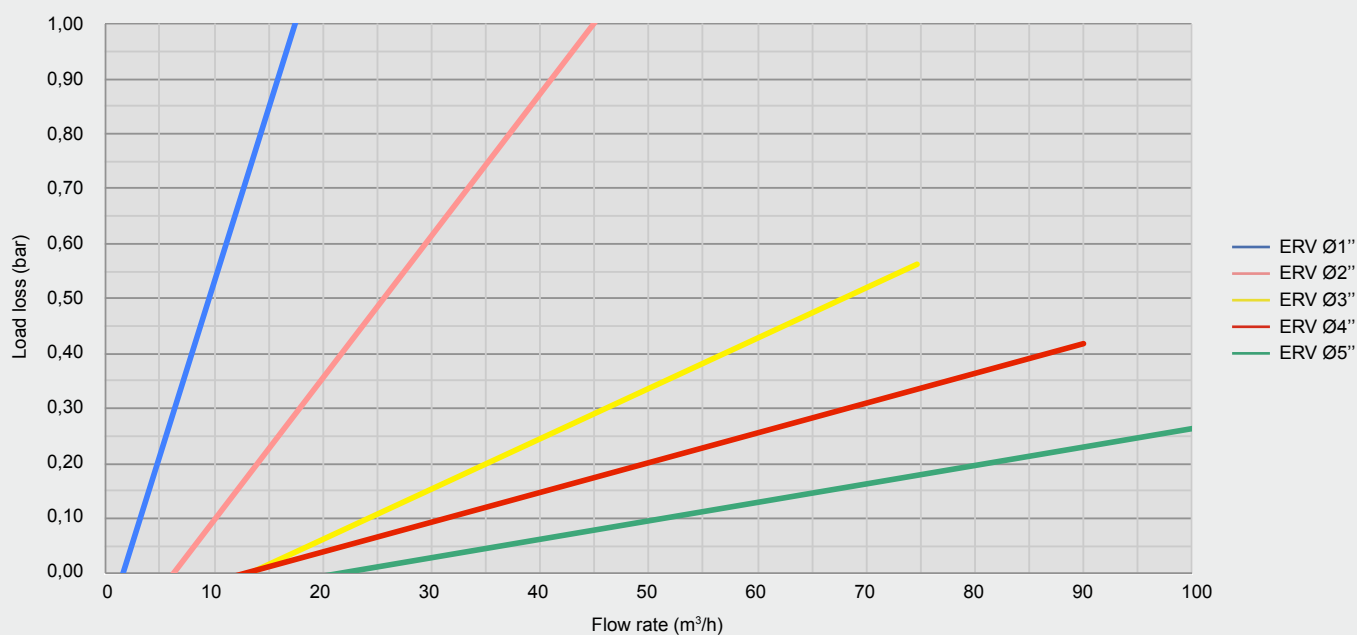
- Body: in sanded metal treated with phosphate zinc and followed by an electrostatic application of a layer of polyester paint, minimum thickness 160 micron, with a protective and anti-corrosion function
- Gaskets: EPDM
- Diffuser nozzle: polypropylene (mushroom)
- Chamber inlet valves: brass/cast iron
- Discharge valves: brass

Characteristics

- Maximum working pressure: 8 bar
- Types of connection: threaded, flanged, victaulic
- The filter is supplied with a discharge valve, air release valve and manometers
- The ERV filter is supplied disassembled



Load loss*



*Testing for load loss was carried out with clean water.

ERV

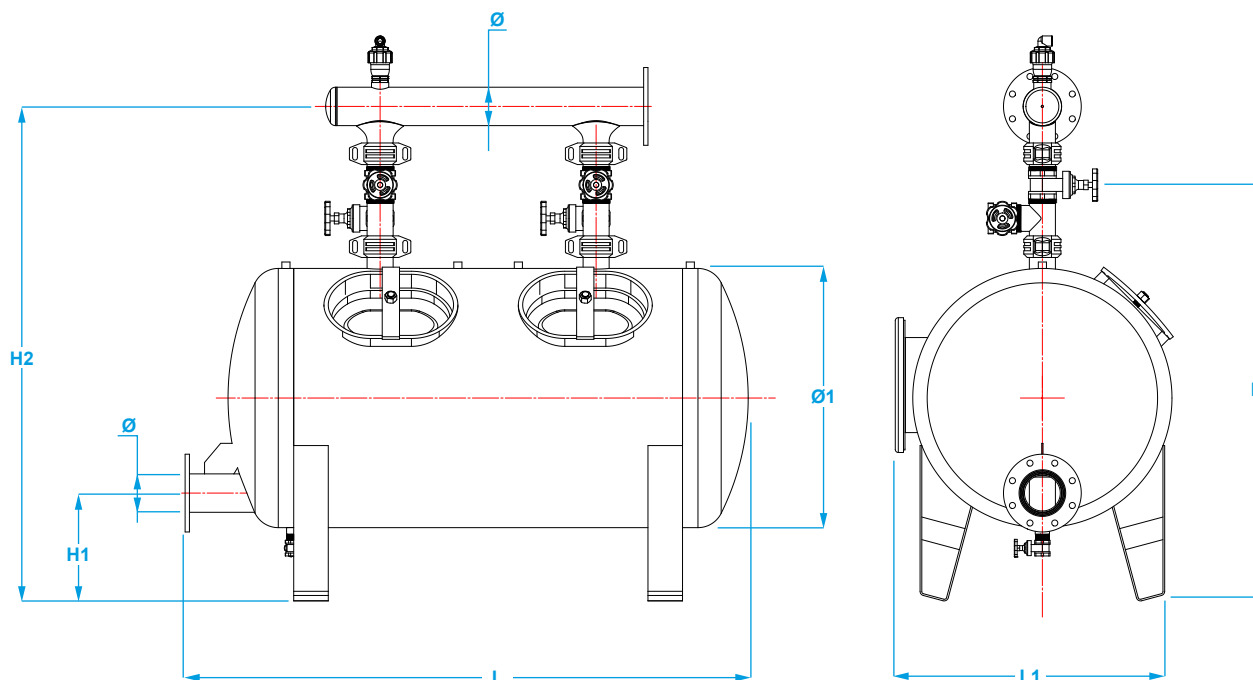
Technical data

| Connections | Pricelist ref. | Ø body (mm) | Flow rate (m³/h) | Min. backw. flow rate (m³/h) |
|-------------|-----------------|-------------|------------------|------------------------------|
| 1"1/2" | IFERV15H | 400 | 5 - 11 | ---- |
| 2" | IFERV20H | 500 | 10 - 30 | ---- |
| 3" | IFERV30H | 600 | 30 - 60 | ---- |
| 4" | IFERV40F | 750 | 40 - 80 | ---- |
| 5" | IFERV50F | 850 | 70 - 110 | ---- |

Connection type: **H** female threaded; **F** flanged; **W** victaulic

Dimensions

| L (mm) | L1 (mm) | H (mm) | H1 (mm) | H2 (mm) | Ø (inches) | Ø1 (mm) | Weight (kg) | |
|--------|---------|--------|---------|---------|------------|---------|-------------|------|
| | | | | | | | H - W | F |
| 900 | 450 | 645 | 190 | 905 | 1"1/2" | 400 | 67 | ---- |
| 1160 | 550 | 680 | 190 | 1050 | 2" | 500 | 92 | ---- |
| 1350 | 650 | 920 | 245 | 1210 | 3" | 600 | 160 | ---- |
| 1750 | 800 | 1250 | 255 | 1220 | 4" | 750 | ---- | 240 |
| 2050 | 900 | 1100 | 255 | 1360 | 5" | 850 | ---- | 330 |



Components

| Number | Description |
|--------|--------------------------------|
| 1 | discharge valve |
| 2 | inlet collector |
| 3 | victaulic fitting |
| 4 | tee |
| 5 | discharge shutter valve |
| 6 | threaded adaptor |
| 7 | sand discharge hatchway gasket |
| 8 | sand discharge hatchway cover |
| 9 | sand loading hatchway t-handle |
| 10 | sand loading hatchway gasket |
| 11 | sand loading hatchway cover |
| 12 | filter body |
| 13 | inlet shutter valve |
| 14 | discharge shutter valve |
| 15 | diffuser nozzle |

